

# SOLAR STREET LIGHT

Intelligent light-control Power display



## Solar panels charge quickly

High-quality A grade polysilicon solar panels can quickly access the sun's energy, four hours of light light all night

## HIGH QUALITY LED BEADS

Lamp beads evenly distributed, low light decay, safety, energy - saving, durable.



Brightness increase **20%**

Photoelectric ascension **18%**

## High-capacity battery

365 days a year lights on, battery overcharge protection, lifespan up to 5 years



## INTELLIGENT LIGHT-CONTROL

Full use of solar energy, efficient charging, environmentally friendly life; Dark automatic light, no need to manually turn on the light, use as you wish.



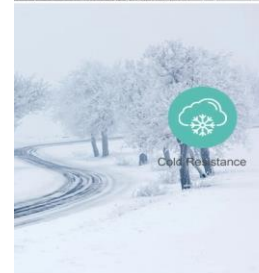
☀ Automatic charging during the day



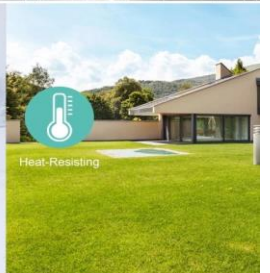
🌙 Automatic light at night



IP65 Waterproof



Cold-Resistance

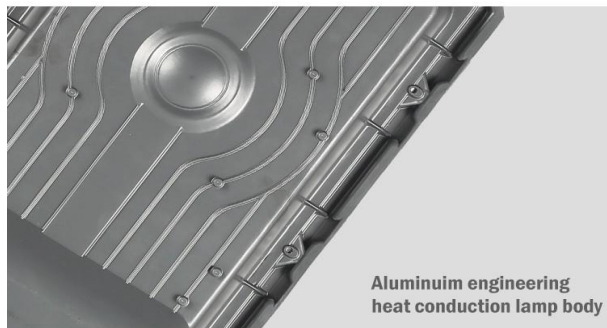


Heat-Resisting

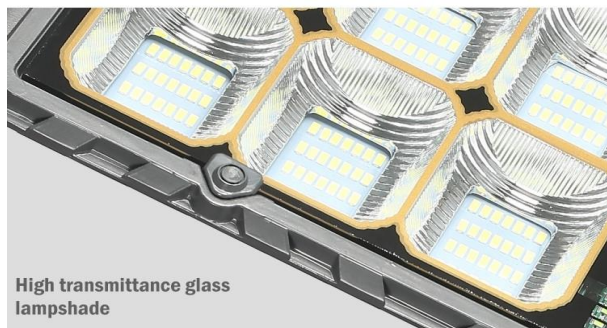
 Solar charging	 Intelligent light-control	 IP65 waterproof
 Energy saving	 Environmental protection	 High quality lamp beads

## PRODUCT DETAILS

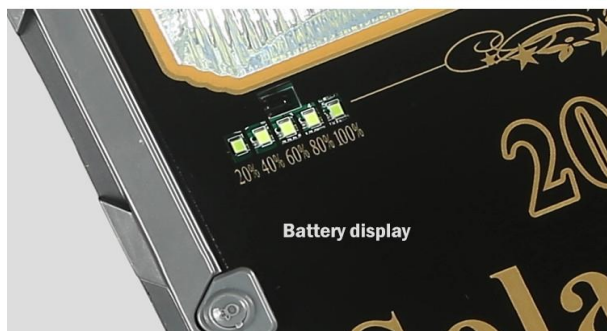
Quality first makes outdoor good lamp



Aluminum engineering heat conduction lamp body



High transmittance glass lampshade



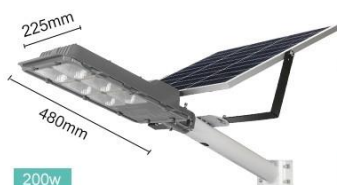
Battery display

## PRODUCT INFORMATION

Quality first makes outdoor good lamp



60w



100w



200w

300w

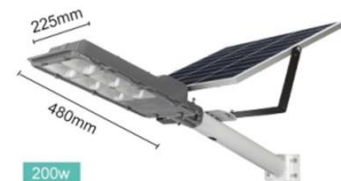


400w

Product model:M-60/N  
solar panel:5V/8W poly  
power: 60W  
LED: SMD5730 120PCS  
Lumen: 800LM  
waterproof: IP65  
solar panel: 3.2V/1000mAh  
Charing time: 5H  
working time: ≥12h  
lamp size: 390x185x78mm  
lighting area:60m<sup>3</sup>  
solar panel light: 340x290x17mm  
Size:41\*41\*39.5  
QTY/CNT:6PCS  
G.W:14.5KG

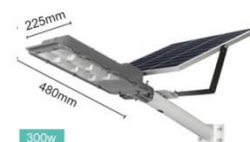
Product model:M-100/N  
Solar panel:5V/25W poly  
power: 100W  
LED: SMD5730 168PCS  
Lumen: 1100LM  
waterproof: IP65  
solar panel: 3.2V/1650mAh  
Charing time: 5H  
working time: ≥12h  
lamp size: 390x185x78mm  
lighting area:80m<sup>3</sup>  
solar panel light: 340x385x17mm  
Size:41\*41\*39.5  
QTY/CNT:6PCS  
G.W:16KG

Product model:M-200/N  
Solar panel:5V/35W poly  
power: 200W  
LED: SMD5730 216PCS  
Lumen: 2000LM  
waterproof: IP65  
solar panel: 3.2V/2750mAh  
Charing time: 5H  
working time: ≥12h  
lamp size: 480x225x78mm  
lighting area:100m<sup>3</sup>  
solar panel light: 350x520x17mm  
Size:54\*40\*39  
QTY/CNT:4PCS  
G.W:17.8KG



200w

Product model:M-300/N  
Solar panel:5V/40W poly  
power: 300W  
LED: SMD5730 288PCS  
Lumen: 2300LM  
waterproof: IP65  
solar panel: 3.2V/3300mAh  
Charing time: 5H  
working time: ≥12h  
lamp size: 480x225x78mm  
lighting area:150m<sup>3</sup>  
solar panel light: 350x630x17mm  
Size:65\*40\*38CM  
QTY/CNT:2PCS  
G.W:16.5KG



300w

Product model:M-400/N  
Solar panel:5V/50W poly  
power: 400W  
LED: SMD5730 360PCS  
Lumen: 2700LM  
waterproof: IP65  
solar panel: 3.2V/4400mAh  
Charing time: 5H  
working time: ≥12h  
lamp size: 480x225x78mm  
Lighting area:200m<sup>3</sup>  
solar panel light: 440x660x25mm \*  
Size:68\*35\*51CM  
QTY/CNT:2PCS  
G.W:17.8KG



400w

